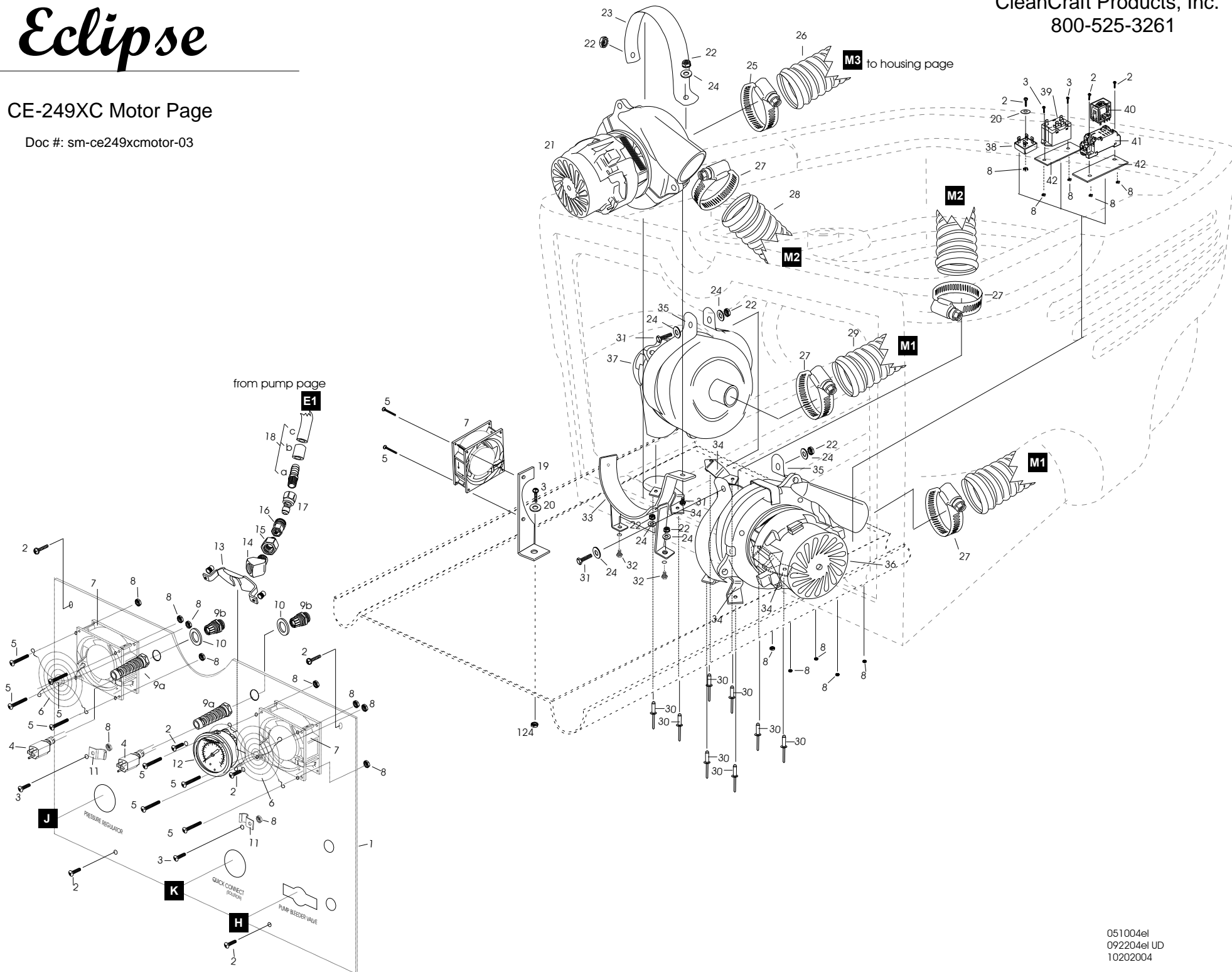


# Eclipse

CleanCraft Products, Inc.  
800-525-3261

## CE-249XC Motor Page

Doc #: sm-ce249xcmotor-03



051004el  
092204el UD  
10202004

# CE-249XC Motor Page

Doc #: sm-ce249xcmotor-03

ITEM NO.	QUANTITY	DESCRIPTION	PART #
1	1	Panel	PM-CETP 223300
2	9	10-32x3/4 Ph. Pan. Head Bolt	PM-CEFB1032112
3	5	10-32x1/2 Ph. Pan. Head Bolt	PM-CEFB1032108
4	2	Elec. Cord	PM-CETE101230
5	10	10-32x1-3/8 Ph. Pan. Head Bolt S/S	PM-CEFB032422
6	2	Fan Guard	PM-CETE 438134
7	3	Cooling Fan	PM-CETE 436111
8	21	10-32 K-Lock Nut	PM-CEFN 1021032
9a-9b	2	Electric Cord retainer	PM-CETE 101500
10	2	Rubber Gasket Washer 3/4"	PM-CE901GH12
11	2	Elec. Cord Bracket 3/8	PM-CETP 111430
12	1	Pressure Gauge	PM-CEGA 100600
13	1	Pressure Gauge Bracket w/Insert	PM-CETP110451
14	1	45 Deg. Elbow 1/4 M x 1/4 FPT	PM-CE2214 P 44
15	1	Adapter 1/4 FPT x 1/8 MPT	PM-CE222 P 42
16	1	High Flow Quick Coupler 1/8 FPT	PM-CEBST-1000
17	1	High Flow Q.C Plug 1/8 FPT	PM-CEBST-N100
18	1	Hose assembly. 22" Pulse hose.	PM-CETHB 7222143
19	1	Bracket for cooling fan	PM-CETPB 350411
20	2	3/16 Al. Rivet Washer	PM-CEFW 302316
21	1	Vac Motor w/ 1-1/2" St. Adapter	PM-CE11620700- C/C
22	6	1/4 x 20 K-Lock Nut	PM-CEFN 1020421
23	1	Motor Strap10"	PM-CETP 200110
24	7	1/4 USS Cut Washer	PM-CEFW 302400
25	1	Hose Clamp 1-1/4"	PM-CEID 57160
26	1	1-1/2" x 5' Clear wire hose	PM-CETVB 166001
27	4	Hose Clamp 2-1/2"	PM-CEID 57320
28	1	Interior Vac. Hose 2"x 18"	PM-CETVB 211894
29	1	Interior Vac. Hose 2"x 10"	PM-CETVB 211094
30	8	Rivet 6-4 AL/ST	PM-CEFR03604
31	3	1/4-20x1 Hex Bolt	PM-CEFB022416
32	3	1/4-20x1/2 Hex Bolt	PM-CEFB022408
33	1	5.7"Motor Stand	PM-CETP2012100
34	4	Motor strap bracket	PM-CETP 201211
35	2	Motor strap 20"	PM-CETP 200220
36	1	Vac. Motor w/ 90 Deg. 2" Elbow	PM-CE11620700- B/C
37	1	Vac. Motor w/2" St. Adapter	PM-CE11620700- A/C
38	1	Rectifier	PM-CETE620350
39	1	Power Relay 30Amp	PM-CETE 205212
40	1	Power Relay 15Amp	PM-CETE 205210
41	1	Power Relay Bracket 15Amp	PM-CETE 205250
42	2	Power Relay Insulator 3 x 1/2"	PM-CETNP 245604