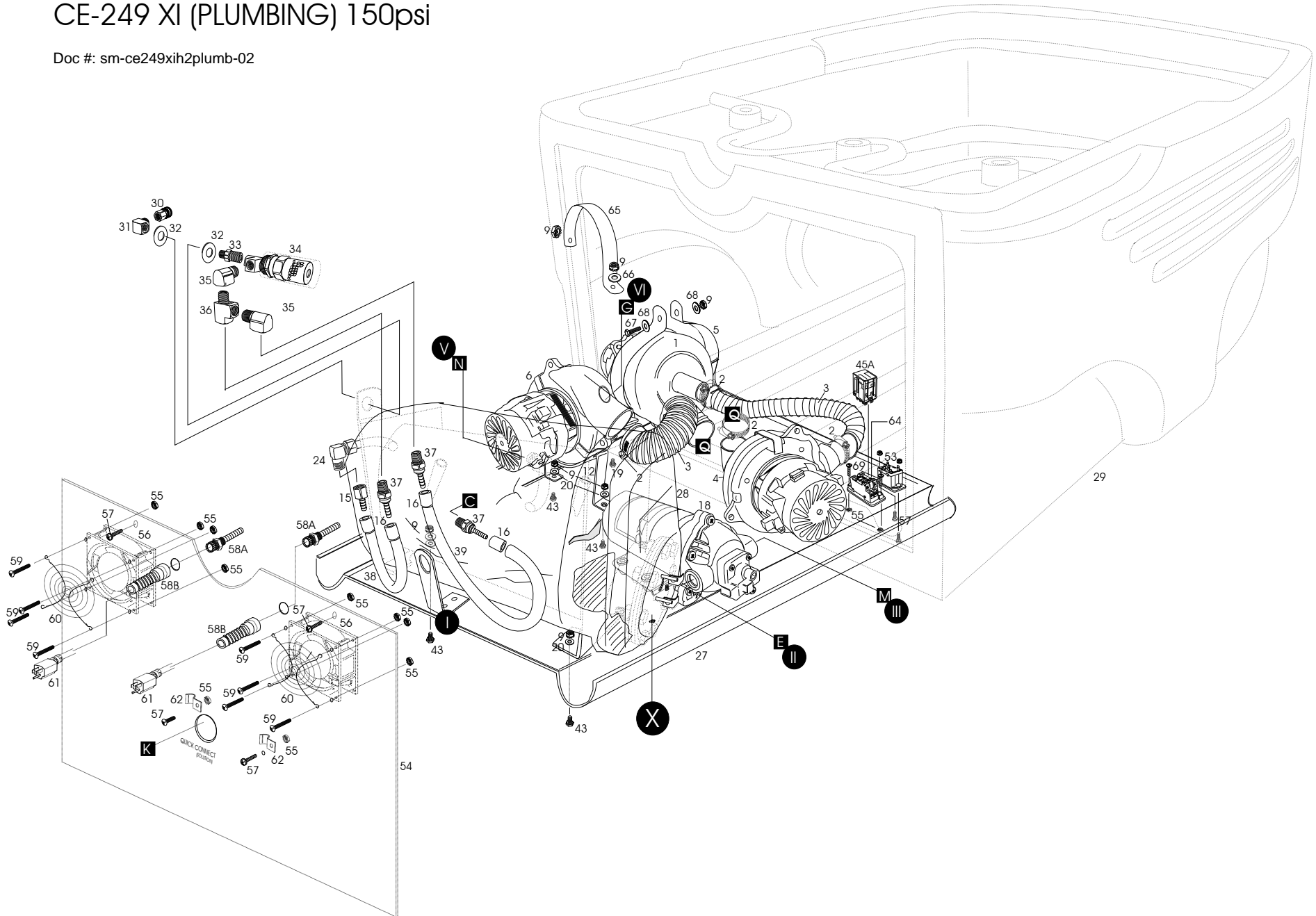


Eclipse

CE-249 XI (PLUMBING) 150psi

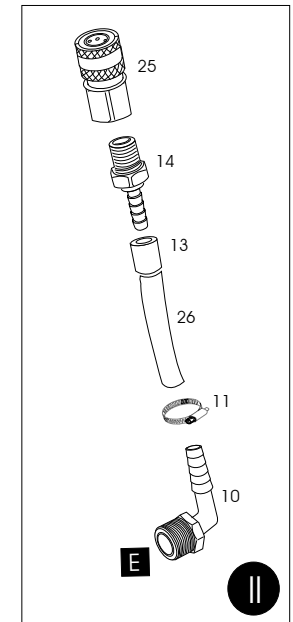
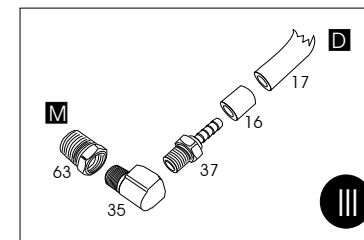
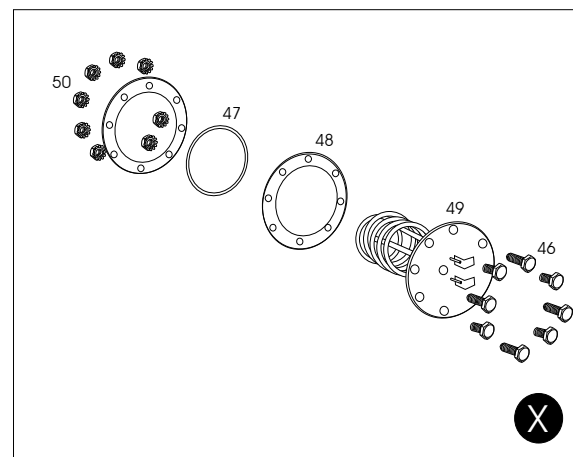
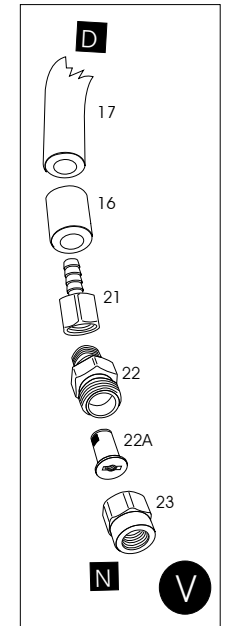
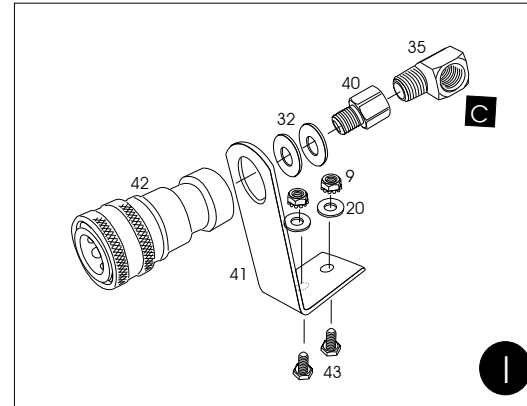
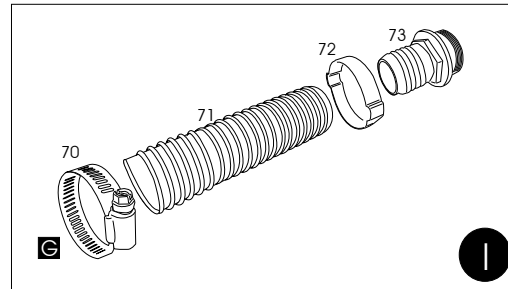
Doc #: sm-ce249xih2plumb-02



Eclipse

CE-249 XI (PLUMBING) 150psi

Doc #: sm-ce249xih2plumb-02



Eclipse

CE-249 XI (Plumbing) 150psi

ITEM NO.	QUANTITY	DESCRIPTION	PART NO.
1	1	120 V / 5.7 BP MOTOR W/AD & CL	PM-CE11941213-A/C
2	5	1/2 S/S BN, PLT, 1-9/16 TO 2-1/2 CLAMP	PM-CEID57320
3	2	2" WIRE BRA. INTERN. VAC.HOSE GRA. (10" long)	PM-CETV200294
4	1	2 STG VAC. MOTOR W/90 DEG ADP CL	PM-CE11941213-B/C
5	2	MOTOR STRAP FOR 7.2 MOTORS (L)	PM-CETP200220
6	1	2 STG VAC. MOTOR W/1.5" ST. ADAP	PM-CE11941213-C/C
7	4	MOTOR STRAP HOLDING BRACKET	PM-CETP201211
8	8	AL/ST 6/4 RIVET	PM-CEFR03604
9	9	1/4 X 20 KEPS NUT	PM-CEFN1020421
10	1	90 DEG. BARB 3/8 HOSEB X 3/8 MPT WH.NYL.	PM-CEN6MEB6
11	1	HOSE CLAMP 1/2 BAND 5/16 HEX 3/8 TO 7/8	PM-CEID57060
12	1	2 STG MOTOR BRACKET FOR ECLIPSE	PM-CETP2012200
13	1	BRASS HOSE FERRULE .675" ID-TMI STD	PM-CEGB06750
14	1	HOSE BARB (HOSE X MPT) 3/8 X 1/4	PM-CE125HBL64
15	1	HOSE BARB (HOSE X FPT) 1/4 X 1/4	PM-CE126HBL44
16	6	1/4 HOSE FERRULE	PM-CEPFN504500
17	1	1/4" BLUE NEPTUNE 3000 18" long	PM-CETH6400450
18	1	150 PSI VITON DEMAND PUMP	PM-CES83863239
19	1	1/4-20 X 3/4 HEX BOLT-ZINK	PM-CEFB022412
20	8	1/4 SAE WASHER PLT	PM-CEFW3020450
21	1	HOSE BAR TO SW FEM. BALL END 1/4 HOSE x 1/4FPT	PM-CE128HBLSV44
22	1	TJET BODY (1/4" TT BRASS	PM-CECP1322
22A	1	CHECK VALVE W/STRAINER	PM-CES4193
23	1	TJET CAP W / 1/4" FMT	PM-CES4676
24	2	90 DEG. ELBOW COMP. FIT 3/8 X 1/4 MPT	PM-CE269C64
25	1	HIGH FLOW COUPLER 1/4 FPT	PM-CEBST-2000
26	1	3/8 I.D. 250 WP 1000 BP BLUE - TMI STAN. 5.5"long	PM-CETH3630650
27	1	ECLIPSE BASE 3-5.7 2 STG MOT.100 PSI	PM-CETMB32110
28	1	H-1LINE HEATER W/DUAL ELEM. S/S BODY ECLIPSE	PM-CETE225461
29	1	ECLIPSE BASE (MECHANICAL DRAW AREA)	PM-CETC131017
30	1	HIGH FLOW COUPLER 1/8 FPT	PM-CEBST-1000
31	1	90 DEG. STREET ELBOW 1/8MPT X 1/8FPT	PM-CE2202P22
32	4	1/2 X 1-3/8 ZINC WASHER	PM-CEFW3020822
33	1	REDUCER 1/4 MPT X 1/8 MPT	PM-CE216P44
34	1	PSI REGULATOR FOR 200 PSI	PM-CEMV510-20
35	3	90 DEG. STREET ELBOW 1/4MPT X 1/4FPT	PM-CE2202P44
36	1	STREET TEE 1/4F X F X MPT	PM-CE2225P4
37	4	MALE SWIVEL HOSE BARB (HOSExMPT) 1/4 x 1/4	PM-CE125HBLSV44

Eclipse

CE-249 XI (Plumbing) 150psi

ITEM NO.	QUANTITY	DESCRIPTION	PART NO.
38	1	1/4" BLUE NEPTUNE 3000 9-1/2" long	PM-CETH6400450
39	1	1/4" BLUE NEPTUNE 3000 16" long	PM-CETH6400450
40	1	ADAPTER 1/4 MPT X 1/4 FPT	PM-CE222P44
41	1	L BRACKET FOR PSI REG. OR Q.C.	PM-CETP110516
42	1	BRASS COUPLER 1/4" FPT	PM-CEBH2-6000
43	5	1/4-20 X 1/2 HEX BOLT -ZINC	PM-CEFB022408
44	4	3/16 ALUM RIVET WASHER	PM-CEFW302316
45A	1	POWER RELAY 120Vac / 60 Hz 15AMP	PM-CETE205210
46	16	1/4-20 X 1/2 HEX BOLT 18-8 S/S	PM-CEFB021408
47	2	O RING FOR TUBULAR HEATER	PM-CEMS30G579
48	2	TUBULAR HEATER "O" RING RETAINER	PM-CETP110461
49	2	ELEC. WET/DRY TUBULAR HEATING ELEMENT	PM-CETE225456
50	16	1/4-20 S/S KEPS NUT	PM-CEFN1010421
51	2	4" DIA INSULATION TAPE / HEADER TAPE	PM-CETE524401
52	1	2" X 4" INSULATION HEADER TAPE	PM-CETE524201
53	1	POWER RELAY 120V 30AMP	PM-CETE205212
54	1	ECLIPSE STANDARD BACK PANEL	PM-CETP223100
55	14	10X32 S/S KEPS NUT	PM-CEFN1011032
56	2	COOLING FAN 120V 3.5"	PM-CETE436111
57	4	10-32 X 1/2 PH.PAN HEAD ZN	PM-CEFB1032108
58 A&B	2	CORD RETAINER (COMPLETE)	PM-CETE101500
59	8	10-32X1-1/2 PN PH BOLT S/S	PM-CEFB051324
60	2	COOLING FAN SCREEN	PM-CETE438134
61	2	12-3SJTW-A POW.CORD X 25' W/15M.P	PM-CETE101230
62	2	1 EAR 1/2" CLAMP / AL	PM-CETP112441
63	1	BUSHING 3/8 MPT X 1/4 FPT	PM-CE209P64
64	1	15 AMP POWER RELAY BRACKET	PM-CETE205250
65	1	MOTOR STRAP FOR 5.7 MOTOR BELAI	PM-CETP200111
66	1	1/4" X 1-1/4" ZINC FENDER WASHER	PM-CEFW302424
67	2	1/4 - 20 X 1" HEX BOLT - ZINC	PM-CEFB022416
68	4	5/16 X 7/8" FLAT ZINC WASHER	PM-CEFW030514
69	2	10-32X3/4 PH.PAN HEAD ZN	PM-CEFB103212
70	1	HOSE CLAMP 1/2" SS BAND 5/16" HEX PLT 3/4" TO 1-3/4"	PM-CEID57200
71	1	1-1/2 CLEAR WIRE BRAID VACUUM HOSE	PM-CETV150201
72	1	LOW PROFILE CLAMP 1-3/4" ZINC PLATED	PM-CEID72049
73	1	1.5" HOSE BARB W / FLANGE BLACK	PM-CETB231516